

Technical characteristics

- **FLOW RATES**
 - 25...25000 ml/h (25 l/h)
- **BACK PRESSURE**
 - 2 bar
- **POWER SUPPLY**
 - 100...240 Vac - 50/60 Hz - 20 W
- **MATERIALS**
 - **ENCLOSURE:** ABS
 - **PUMP HEAD:** PP
 - **TUBES:** Sekoflex
- **DOSING**
 - By stepper motor technology
 - Safely up to 25 l/h @0,1 bar
 - Suitable firmware micro dosing
 - Minimum dosing note 25 ml/h
- **MOTORS**
 - Accurate, reliable and silent (<35 db)

FUNCTIONS:

- Adjustable flow rate
- Proportional
 - 4...20mA
 - 1:N
 - N:1
- PPM
- Batch
- Statistics
- Password

Kronos Series' peristaltic pump is the final result dedication of Seko to innovation of its products, in order to launch metering systems that meet the technical requirements of an increasingly large and demanding customers. Kronos is the most complete and reliable series of peristaltic pumps ever produced by Seko. As a result of 35 years of experience, Kronos is able to adapt to the most simple applications, covering at the same time also complex solutions in industrial plants where accuracy in chemical dosing and ability to operate in harsh environments are needed, in addition to ease of installation and low maintenance costs.

PUMP KEY CODE

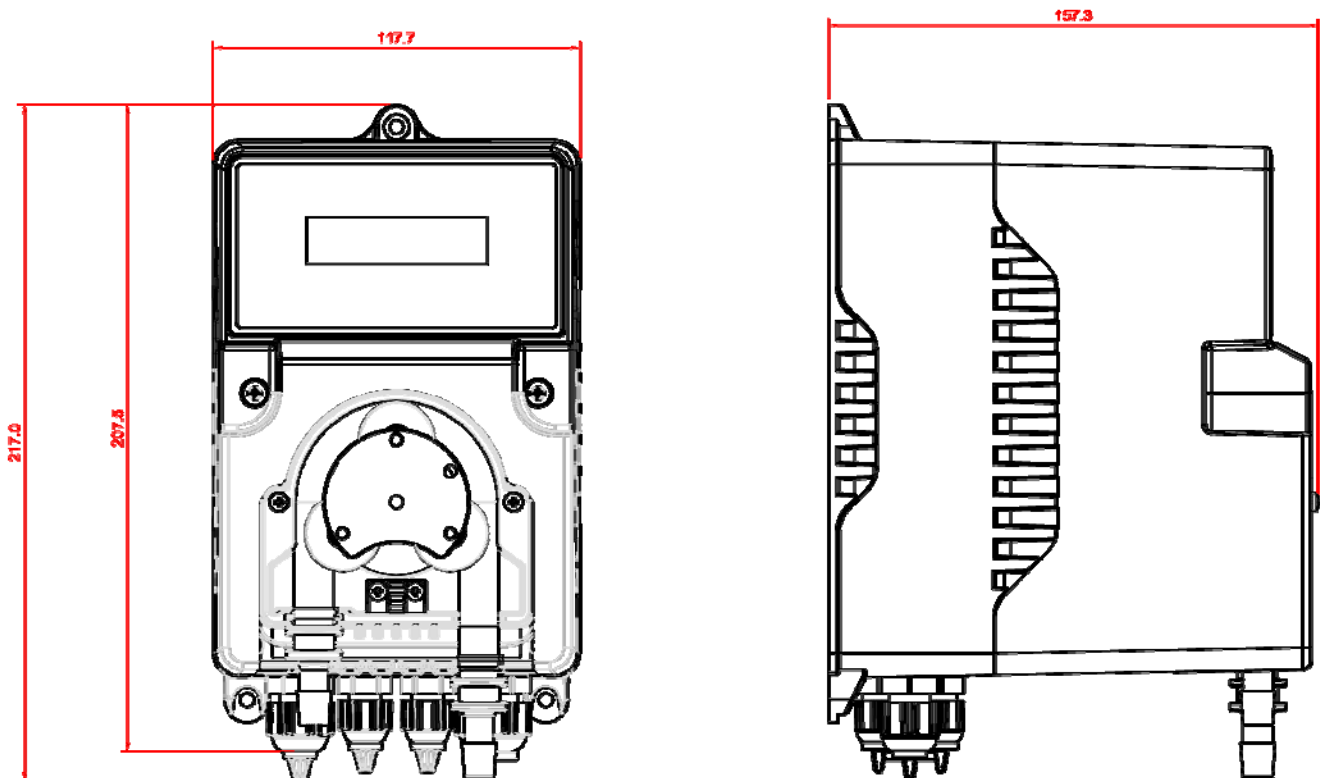
1°	Family					
KS	Kronos peristaltic pump high flow rate					
KJ	Kronos peristaltic pumps special version available upon request					
2°	Model and functions					
Model	Functions					
FM	Adjustable flow rate – Manual – 4...20 mA – PPM – 1:n – n:1 – Batch					
FF	Available upon request					
IR	Available upon request					
CR	Available upon request					
3°	Max Back Pressure					
00	0,1 bar					
02	Available upon request					
03	Available upon request					
06	Available upon request					
4°	Max Flow Rate (Flow rate range)					
02	Available upon request					
08	Available upon request					
10	Available upon request					
15	Available upon request					
25	25 l/h					
5°	Power Supply					
A	Available upon request					
B	Available upon request					
C	Available upon request					
D	Available upon request					
M	100...240 Vac 50/60 Hz 20 W					
6°	Tubes					
1	Available upon request					
2	Available upon request					
3	Sekoflex					
4	Available upon request					
5	Available upon request					
6	Available upon request					
7	Available upon request					
8	Available upon request					
7°	Options					
000	Standard					

KR	FM	00	25	M	1	000
----	----	----	----	---	---	-----

RESUME TABLE

	Family	Model	Back Pressure bar (psi)	Min Flow Rate l/h (ml/min)	MAX Flow Rate l/h (ml/min)	Power Supply	Tube
KS FM 00 25 M 1	KR	FM	0,1 (1,5)	0.0015 (15)	15 (15000)	100...240 Vac 50/60 Hz 20 W	Santoprene

DIMENSIONS





DOSING PUMP

Kronos KS SERIES

(EMPITY PAGE)